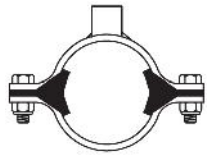


Bradford™ Tube Hangers

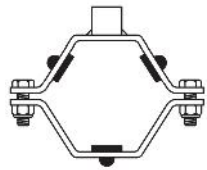
Complete Support



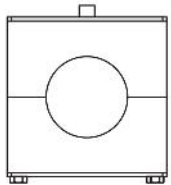
← round hanger with coupler



← hex hanger



← hex hanger with coupler



← block hanger



← hex hanger with sleeve

Product Specifications

Size range:

- ½" - 12" OD tube

Materials:

- hanger base: 304 stainless steel
- hanger inserts: nitrile..... rated to: 230°F
 ABS (sleeve) 230°F
 FKM..... 400°F
 Polypropylene 212°F
 Santoprene™ 302°F

Tube OD *	Nominal Wall Thickness	Gage Number
½"	.065	16
¾"	.065	16
1"	.065	16
1½"	.065	16
2"	.065	16
2½"	.065	16
3"	.065	16
4"	.083	14
5"	.109	12
6"	.109	12
8"	.120	10
10"	.109	12
12"	.120	10

Support Recommendations

Lines are not to be rigidly anchored to equipment. Lines must be allowed to float. Temperatures cause expansion and contraction and if mounted incorrectly will cause distortion and possibly leakage.

Proper Installation:

- straight sections need support every 10 feet
- each side of every valve (as close as possible to the connection) needs support
- support each change of directions

Index

Hex Hangers.....	105-107	Sleeves.....	107
Grommets.....	106	Round Hangers	107
Nuts and Bolts	106	Block Hangers	108

K
Tube Hangers

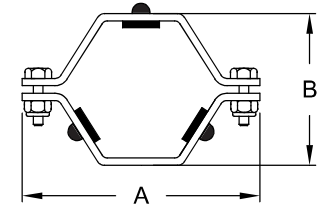
Tube Hex Hangers

Hex Hanger with Nitrile Grommets - B24RG

Features:

- Nitrile grommets maximum temperature: 230°F
- All hex and round style hangers can be equipped with the following coupler options:
 - 3/8 NPT
 - all thread: 3/8-16 or 1/2-13

Tube OD	A	B	304 Stainless Steel Part Number
1/2" - 3/4"	3.425	1.450	B24RG-G75
1"	3.425	1.450	B24RG-G100
1 1/2"	4.000	2.125	B24RG-G150
2"	4.500	2.500	B24RG-G200
2 1/2"	4.950	3.125	B24RG-G250
3"	5.500	3.750	B24RG-G300
4"	6.950	4.750	B24RG-G400
5"	8.000	5.625	B24RG-G500
6"	9.250	6.625	B24RG-G600
8"	11.500	8.625	B24RG-G800
10"	14.500	10.500	B24RG-G1000
12"	16.750	12.625	B24RG-G1200

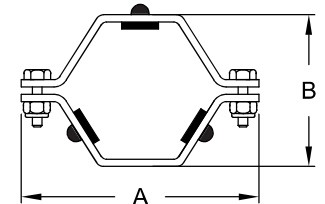


Hex Hanger with FKM Grommets - B24RGSFY

Features:

- FKM grommets maximum temperature: 392°F
- All hex and round style hangers can be equipped with the following coupler options:
 - 3/8 NPT
 - all thread: 3/8-16 or 1/2-13

Tube OD	A	B	304 Stainless Steel Part Number
1/2"	3.625	2.125	B24RGSFY-G50
3/4"	3.625	2.125	B24RGSFY-G75
1"	3.625	2.125	B24RGSFY-G100
1 1/2"	3.625	2.125	B24RGSFY-G150
2"	4.313	2.625	B24RGSFY-G200
2 1/2"	4.875	3.125	B24RGSFY-G250
3"	5.375	3.625	B24RGSFY-G300
4"	6.563	4.750	B24RGSFY-G400
6"	9.000	6.625	B24RGSFY-G600
8"	11.250	8.750	B24RGSFY-G800
10"	14.500	10.500	B24RGSFY-G1000
12"	16.750	12.625	B24RGSFY-G1200

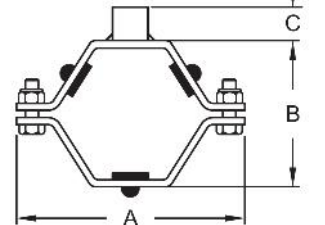


Hex Hanger with Nitrile Grommets and Coupler - B24RGC

Features:

- Nitrile grommets maximum temperature: 230°F
- Coupler has 3/8 NPT

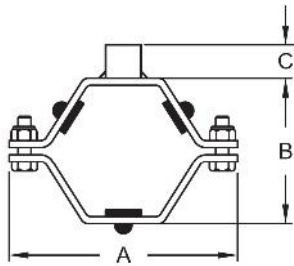
Tube OD	A	B	C	304 Stainless Steel Part Number
1/2" - 3/4"	3.425	1.450	.750	B24RGC-G75
1"	3.425	1.450	.750	B24RGC-G100
1 1/2"	4.000	2.125	.750	B24RGC-G150
2"	4.500	2.500	.750	B24RGC-G200
2 1/2"	4.750	3.125	.750	B24RGC-G250
3"	5.500	3.750	.750	B24RGC-G300
4"	6.750	4.750	.750	B24RGC-G400
6"	9.250	6.625	.750	B24RGC-G600
8"	11.500	8.625	.750	B24RGC-G800



K
Tube Hangers

Tube Hex Hangers

Hex Hanger with Nitrile Grommets and All Thread Coupler - B24RGC16



Features:

- Nitrile grommets maximum temperature: **230°F**
- Coupler is all thread 3/8-16

Tube OD	A	B	C	304 Stainless Steel Part Number
1/2" - 3/4"	3.425	1.450	.750	B24RGC16-G75
1"	3.425	1.450	.750	B24RGC16-G100
1 1/2"	4.000	2.125	.750	B24RGC16-G150
2"	4.500	2.500	.750	B24RGC16-G200
2 1/2"	4.750	3.125	.750	B24RGC16-G250
3"	5.500	3.750	.750	B24RGC16-G300
4"	6.750	4.750	.750	B24RGC16-G400
6"	9.250	6.625	.750	B24RGC16-G600
8"	11.500	8.625	.750	B24RGC16-G800

K
Tube Hangers



Nuts and Bolts - 13NHN

Features:

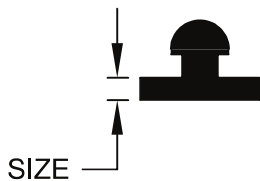
- All sizes hex hangers with grommets and round hangers 1" to 4" use 13NHN-G100-600 fastener sets
- 1/2" and 3/4" round and sleeved hangers use 13NHN-G75 fastener sets
- 2 nuts and bolts supplied to a set

Size	Description	304 Stainless Steel Part Number
1/2" - 3/4"	1/4-20 x 3/4" bolt with nylock nut	13NHN-G75
1" - 12"	5/16-18 x 1" bolt with nylock nut	13NHN-G100-600

Grommets - 13RG

Features:

- Nitrile grommets maximum temperature: **230°F**
- FKM grommets maximum temperature: **392°F**



Size	Nitrile Part Number	FKM Part Number
1/8" ¹	13RG18	13RGV18
1/4"	13RG14	13RGV14
1/2"	13RG12	13RGV12
3/8" ²	13RG38	13RGV38
5/8"	13RG58	13RGV58

¹ for 1" hangers and larger
² for 1/2" and 3/4" hangers

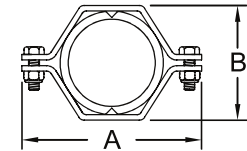
Tube Hex Hangers

Hex Hanger with ABS Sleeve - B24PS

Feature:

- ABS sleeve maximum temperature: 230°F

Tube OD	A	B	304 Stainless Steel Part Number
1/2"	2.800	1.150	B24PS-G50
3/4"	2.800	1.150	B24PS-G75
1"	3.425	1.450	B24PS-G100
1 1/2"	4.000	2.125	B24PS-G150
2"	4.500	2.500	B24PS-G200
2 1/2"	4.950	3.125	B24PS-G250
3"	5.500	3.750	B24PS-G300
4"	6.950	4.750	B24PS-G400
5"	8.063	5.625	B24PS-G500
6"	9.250	6.625	B24PS-G600
8"	11.500	8.625	B24PS-G800
10"	14.500	10.500	B24PS-G1000
12"	16.625	13.000	B24PS-G1200

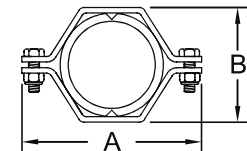


Hex Hanger with High Temperature Sleeve - B24HS

Feature:

- High temperature sleeve maximum temperature: 325°F

Tube OD	A	B	304 Stainless Steel Part Number
1/2"	2.375	1.062	B24HS-G50
3/4"	2.625	1.188	B24HS-G75
1"	2.688	1.563	B24HS-G100
1 1/2"	3.625	2.125	B24HS-G150
2"	4.625	2.625	B24HS-G200
2 1/2"	4.813	3.125	B24HS-G250
3"	5.375	3.625	B24HS-G300
4"	6.625	4.625	B24HS-G400
6"	9.000	6.625	B24HS-G600



K
Tube Hangers

Sleeves - 13*S

Features:

- ABS sleeve maximum temperature: 230°F
- High temperature sleeve maximum temperature: 325°F

Size	ABS Part Number	High Temperature Part Number
1/2"	13PS-50	13HS-50
3/4"	13PS-75	13HS-75
1"	13PS-100	13HS-100
1 1/2"	13PS-150	13HS-150
2"	13PS-200	13HS-200
2 1/2"	13PS-250	13HS-250
3"	13PS-300	13HS-300
4"	13PS-400	13HS-400
5"	13PS-500	---
6"	13PS-600	13HS-600
8"	13PS-800	---
10"	13PS-1000	---
12"	13PS-1200	---

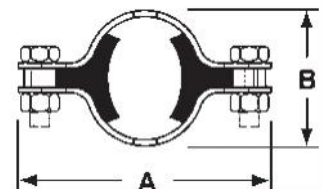


Round Hanger with Nitrile Inserts - B24RPH

Features:

- Nitrile inserts maximum temperature: 230°F
- All hex and round style hangers can be equipped with the following coupler options: 3/8 NPT or all thread: 3/8-16 or 1/2-13

Tube OD	A	B	304 Stainless Steel Part Number
1/2"	2.750	1.125	B24RPH-G50
3/4"	2.750	1.125	B24RPH-G75
1"	3.310	1.500	B24RPH-G100
1 1/2"	3.810	2.000	B24RPH-G150
2"	4.250	2.562	B24RPH-G200
2 1/2"	5.000	3.000	B24RPH-G250
3"	5.500	3.562	B24RPH-G300
4"	6.500	4.688	B24RPH-G400



Tube Block Hangers

Features:

- Santoprene (SP) - FDA approved material, maximum temperature **302°F**
- Polypropylene (PP) - maximum temperature **212°F**

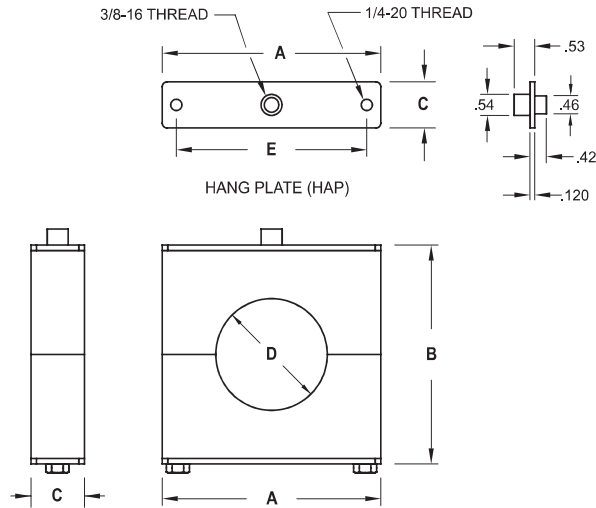
Block Hanger with Hang Plate Design - B 24 **HAP



Polypropylene



Santoprene



Tube OD	A	B	C	D	E	Polypropylene Part Number	Santoprene Part Number
1/2"	1.84	1.70	1.19	0.50	1.33	B24PPHAP-G50	B24SPHAP-G50
3/4"	1.84	1.70	1.19	0.75	1.33	B24PPHAP-G75	B24SPHAP-G75
1"	3.33	2.85	1.19	1.00	2.55	B24PPHAP-G100	B24SPHAP-G100
1 1/2"	3.33	2.85	1.19	1.50	2.55	B24PPHAP-G150	B24SPHAP-G150
2"	3.33	2.85	1.19	2.00	2.55	B24PPHAP-G200	B24SPHAP-G200
2 1/2"	5.00	4.60	1.19	2.50	4.22	B24PPHAP-G250	B24SPHAP-G250
3"	5.00	4.60	1.19	3.00	4.22	B24PPHAP-G300	B24SPHAP-G300
4"	5.65	5.00	1.19	4.00	4.85	B24PPHAP-G400	B24SPHAP-G400

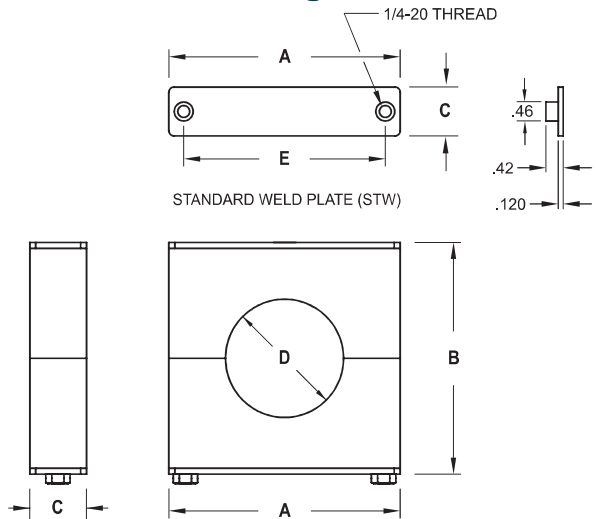
Block Hanger with Weld Plate Design - B 24 **STW



Polypropylene



Santoprene



Tube OD	A	B	C	D	E	Polypropylene Part Number	Santoprene Part Number
1/2"	1.84	1.70	1.19	0.50	1.33	B24PPSTW-G50	B24SPSTW-G50
3/4"	1.84	1.70	1.19	0.75	1.33	B24PPSTW-G75	B24SPSTW-G75
1"	3.33	2.85	1.19	1.00	2.55	B24PPSTW-G100	B24SPSTW-G100
1 1/2"	3.33	2.85	1.19	1.50	2.55	B24PPSTW-G150	B24SPSTW-G150
2"	3.33	2.85	1.19	2.00	2.55	B24PPSTW-G200	B24SPSTW-G200
2 1/2"	5.00	4.60	1.19	2.50	4.22	B24PPSTW-G250	B24SPSTW-G250
3"	5.00	4.60	1.19	3.00	4.22	B24PPSTW-G300	B24SPSTW-G300
4"	5.65	5.00	1.19	4.00	4.85	B24PPSTW-G400	B24SPSTW-G400

K

Tube Hangers